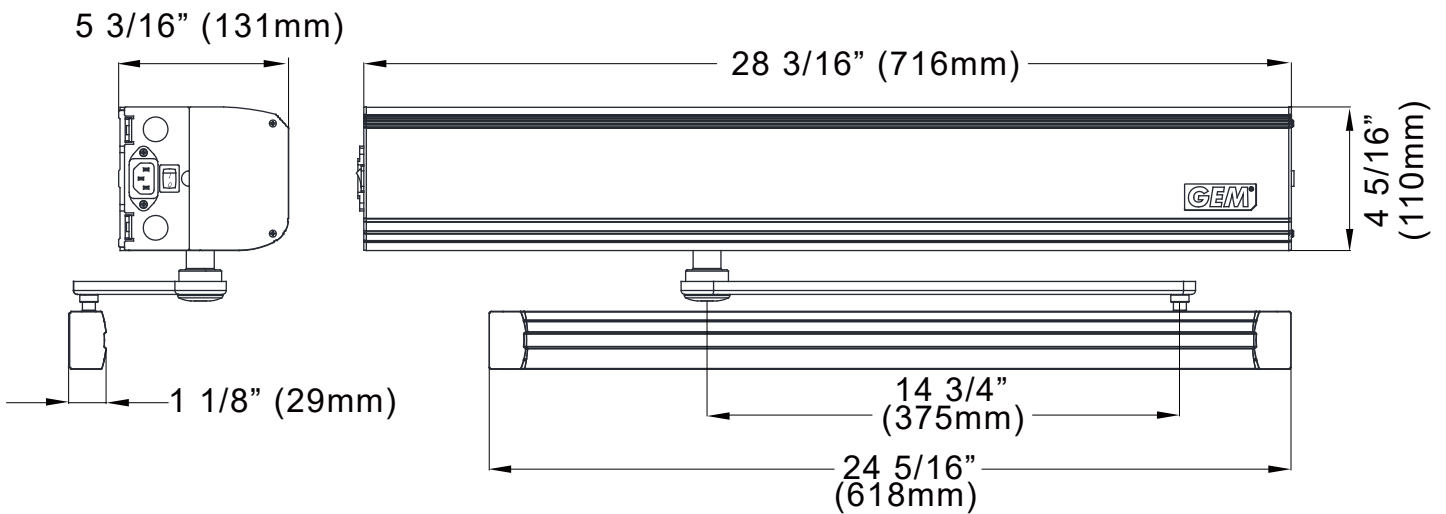


Dimension

AD500



All dimensions in mm